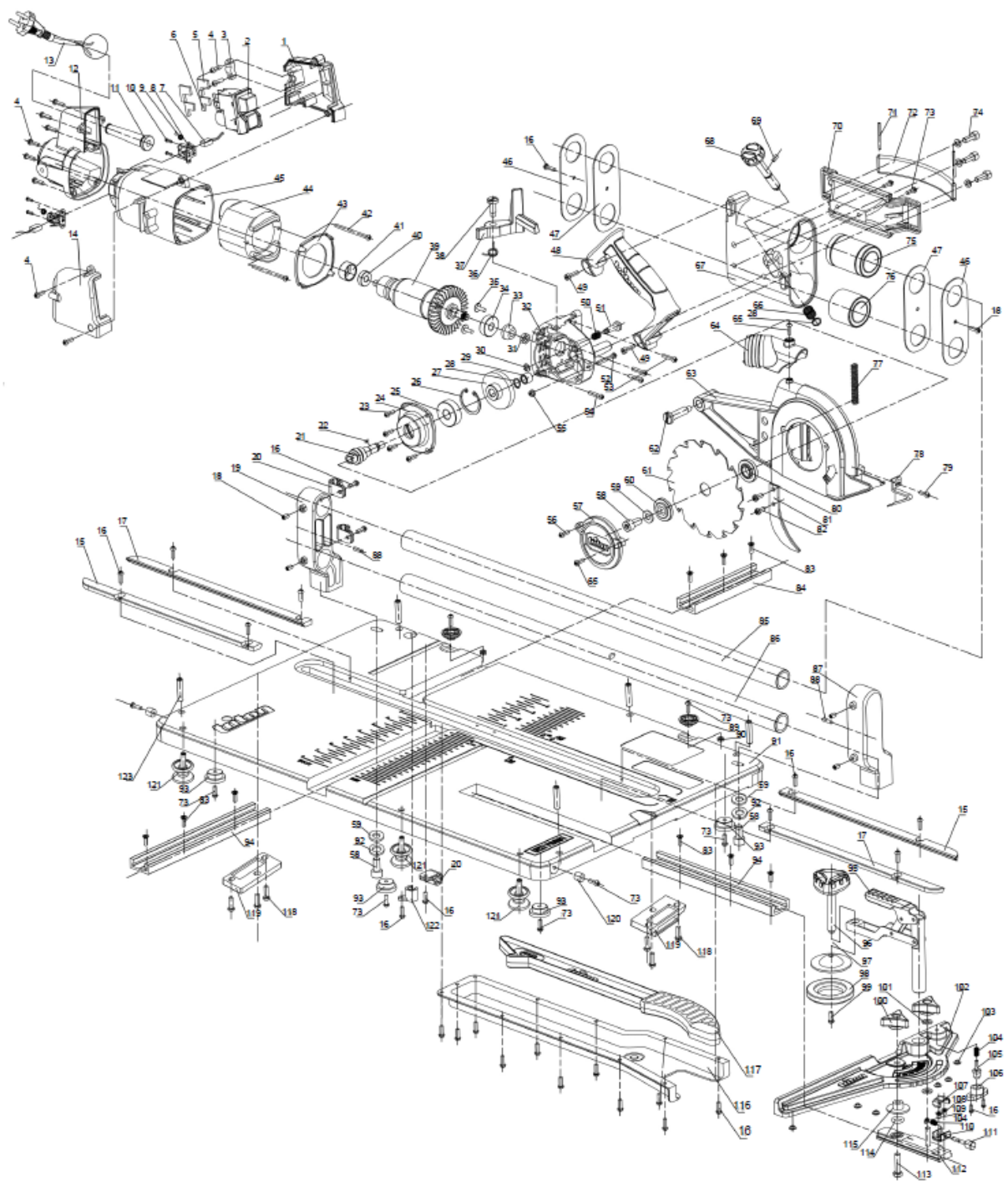


triton® TWX7PS001 – PROJECT SAW MODULE 120V



No.	Description
1	SWITCH COVER (LEFT)
2	SWITCH
3	CORD CLAMP
4	SCREW
5	COVER
6	COVER TERMINAL
7	CARBON BRUSH
8	CARBON BRUSH HOLDER
9	SPRING
10	SCREW
11	CABLE PROTECTOR
12	MOTOR COVER
13	POWER CORD
14	SWITCH COVER (RIGHT)
15	BLADE PROTECTOR GUIDE I
16	SCREW
17	BLADE PROTECTOR GUIDE II
18	SCREW
19	BRACKET I
20	CABLE HOLDER
21	OUTPUT SHAFT
22	KEY
23	SCREW
24	GEAR BOX COVER
25	BEARING
26	C RING
27	BIG GEAR
28	C RING
29	BUSH
30	C RING
31	LOCKNUT
32	GEAR BOX
33	PINION



TWX7PS001 – PROJECT SAW MODULE 120V

34	BEARING
35	SCREW
36	SPRING
37	GUARD RELEASE BUTTON
38	SCREW
39	ARMATURE
40	BEARING
41	BEARING COVER
42	SCREW
43	BUFFER
44	STATOR
45	MOTOR HOUSING
46	DUSTPROOF COVER
47	DUSTPROOF PLATE
48	AUXILIARY HANDLE
49	SCREW
50	SPRING
51	SPINDLE LOCK BUTTON
52	SCREW
53	SCREW
54	SCREW
55	NUT
56	SCREW
57	BLADE COVER
58	SCREW
59	WASHER
60	UPPER FLANGE
61	BLADE
62	SCREW
63	BLADE GUARD
64	DUST COLLECTOR ADAPTOR
65	SCREW
66	SPRING
67	MOVING BRACKET
68	MACHINE LOCK PIN
69	SCREW



TWX7PS001 – PROJECT SAW MODULE 120V

70	SUPPORT
71	PIN
72	HAND
73	SCREW
74	SCREW
75	LINEAR BEARING
76	LINEAR BEARING
77	SCREW
78	BLADE ALIGNEMENT BLOCK
79	SCREW
80	LOWER FLANGE
81	RIVET KNIFE
82	SCREW
83	SCREW
84	SLOT PART I
85	SLIDING POLE I
86	SLIDING POLE II
87	BRACKET II
88	RUBBER PIN
89	ADJUSTMENT CAM
90	NUT
91	WORKING TABLE
92	SPRING WASHER
93	SUPPORT
94	SLOT PART II
95	QUICK CLAMP
96	BUTTON
97	PRESS BLOCK
98	RUBBER BLOCK
99	SCREW
100	BUTTON



TWX7PS001 – PROJECT SAW MODULE 120V

101	WASHER
102	FENCE
103	FENCE SUPPORT
104	SPRING
105	LOCK PIN
106	LOCK PIN BUSH
107	LOCK PIN COVER
108	SCREW
109	C RING
110	LOCK BLOCK HOLDER
111	LOCK PIN
112	LOCK BLOCK
113	SCREW
114	O RING
115	BUSH
118	SCREW
119	LOCK MACHINE BLOCK
120	ROLLER
121	ROLLER SET
122	CABLE HOLDER
123	SCREW
124	WRENCH